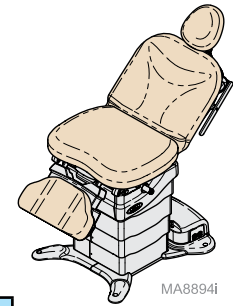




# Specifications:

## Midmark 630 Human Form™ Procedures Table 630 (-010 thru -023)



MA8894i

### Model Identification / Compliance Chart

Model	Description	Complies To:					Electrical Ratings:		
		UL 60601-1	CAN/CSA 22.2, #601.1-M90	IEC 60601-1	EN 60601-1-2 (EMC)	CE	VAC +/-10%	Amps	Cycles (Hz)
630-010	Midmark 630 Human Form™ Procedures Table (Non-Programmable) w/ Receptacle	•	•	•	•		<b>Configurable</b>		50 / 60
							115 230	12 6	
630-011	Midmark 630 Human Form™ Procedures Table (Non-Programmable) w/ Receptacle and Wireless Controls	•	•	•	•		<b>Configurable</b>		50 / 60
							115 230	12 6	
630-012	Midmark 630 Human Form™ Procedures Table (Non-Programmable) w/ Rotational Base	•	•	•	•	•	<b>Configurable</b>		50 / 60
							115 230	9 4.5	
630-013	Midmark 630 Human Form™ Procedures Table (Non-Programmable) w/ Rotational Base and Wireless Controls	•	•	•	•		<b>Configurable</b>		50 / 60
							115 230	9 4.5	
630-020	Midmark 630 Human Form™ Procedures Table (Programmable) w/ Receptacle	•	•	•	•		<b>Configurable</b>		50 / 60
							115 230	12 6	
630-021	Midmark 630 Human Form™ Procedures Table (Programmable) w/ Receptacle and Wireless Controls	•	•	•	•		<b>Configurable</b>		50 / 60
							115 230	12 6	
630-022	Midmark 630 Human Form™ Procedures Table (Programmable) w/ Rotational Base	•	•	•	•	•	<b>Configurable</b>		50 / 60
							115 230	9 4.5	
630-023	Midmark 630 Human Form™ Procedures Table (Programmable) w/ Rotational Base and Wireless Controls	•	•	•	•		<b>Configurable</b>		50 / 60
							115 230	9 4.5	

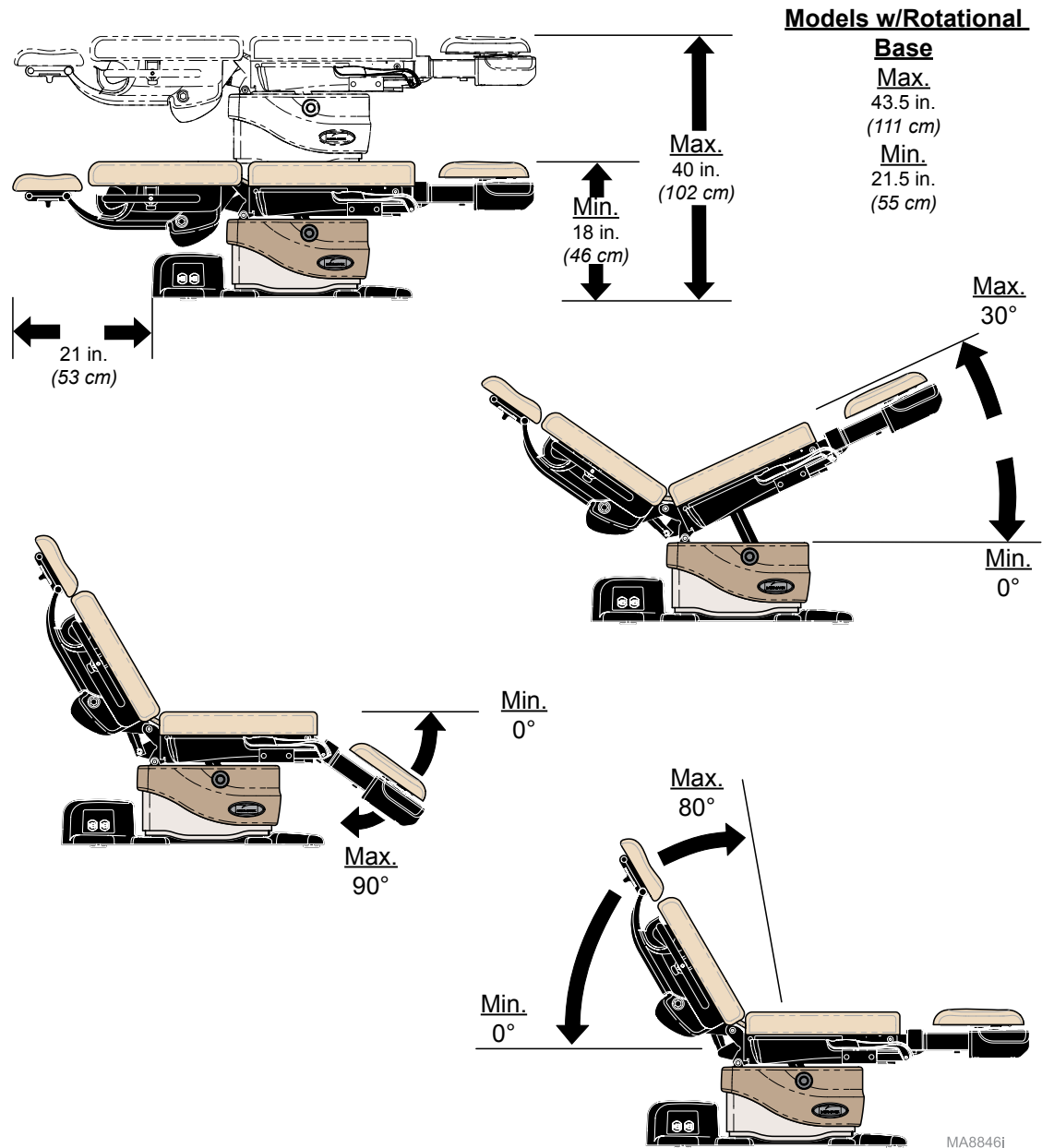
Fire Code Ratings: All upholstery complies with California Bureau of Home Furnishing Technical Bulletin 117 and California Code of Regulations, Sect. 93120-93120.12, Title 17. Optional upholstery is available that complies with California Bureau of Home Furnishing Technical Bulletin 133.

TP211 Rev. A

# Specifications

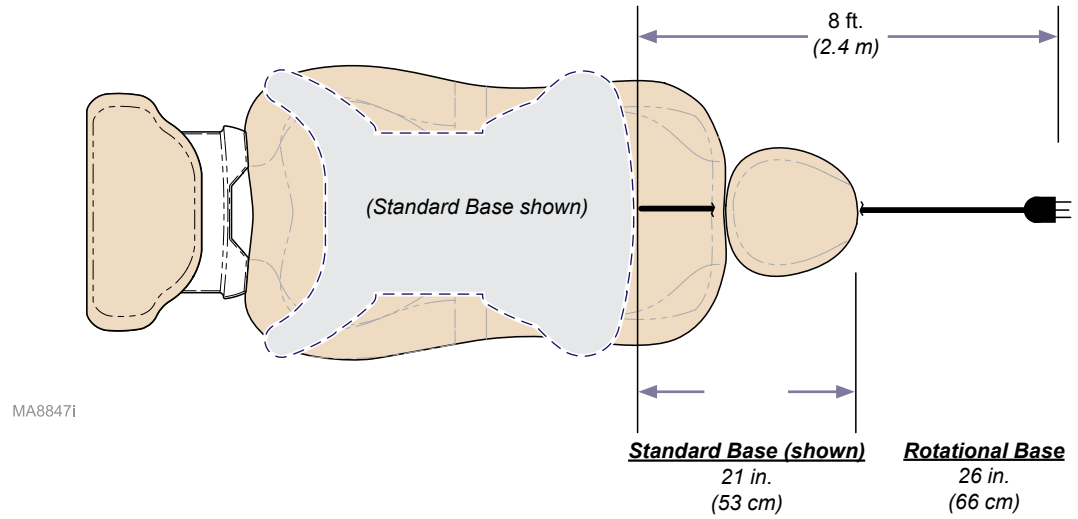
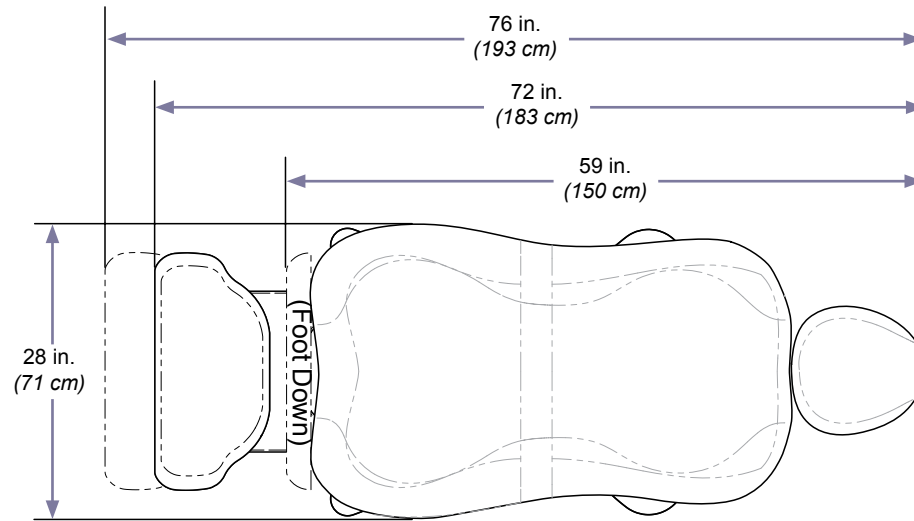
<b>Specifications Chart</b>	
<b>Patient Weight (maximum):</b> <b>630 (w/standard base)</b> <b>630 (w/rotational base)</b>	650 lbs (294 kg) 650 lbs (294 kg)
<b>Paper Roll (maximum size):</b>	18 in. long x 3.5 in. diameter (45.7 cm x 8.9 cm)
<b>Range of Motion &amp; Dimensions:</b>	[See Range of Motion & Dimensions pages]
<b>Weight of Table:</b> <b>630 w/upholstery (standard base)</b> w/packaging & skid (no uph.) <b>630 w/upholstery (rotational base)</b> w/packaging & skid (no uph.) <b>Uph. w/packaging (shipped separately)</b>	475 lbs (215 kg) 530 lbs (240 kg) 550 lbs (249 kg) 605 lbs (274 kg) 45 lbs (20 kg)
<b>Power Cord Length:</b>	8 ft. (243.8 cm) long
<b>Electrical Requirements:</b>	[See Model Identification / Compliance Charts]
<b>Foot / Hand Control Voltage:</b>	12 VDC, SELV (Safety Extra Low Voltage)
<b>Duplex Receptacles Maximum Load:</b> (not available on rotation models)	115 VAC, 3A, 50/60 Hz
<b>Fuse Ratings:</b> <i>F1, F2, &amp; F3 (on Motor Control Hub board):</i> <i>F1, F2, &amp; F3 (on Power Supply board):</i> <i>F4 &amp; F5 (on Power Supply board):</i>	5A, 250V, Type-T, 5 x 20 mm 10A, 250V, Type-T, 5 x 20 mm 6.3A, 250V, Type-T, 5 x 20 mm
<b>Duty Cycle (Motor Run Time):</b>	Intermittent Operation [Domestic: 30 seconds ON / 5 minutes OFF] [Export: 30 seconds ON / 5 minutes OFF]
<b>(Receptacles):</b>	Continuous Operation
<b>Classifications:</b>	Class I, Type B Applied Part Intermittent Operation [Domestic: 30 seconds ON / 5 minutes OFF] [Export: 30 seconds ON / 5 minutes OFF]
<b>Protection against ingress of fluids:</b>	IPXO [Foot Control only: IPX1]

# Range of Motion



TP211 Rev. A

# Dimensions

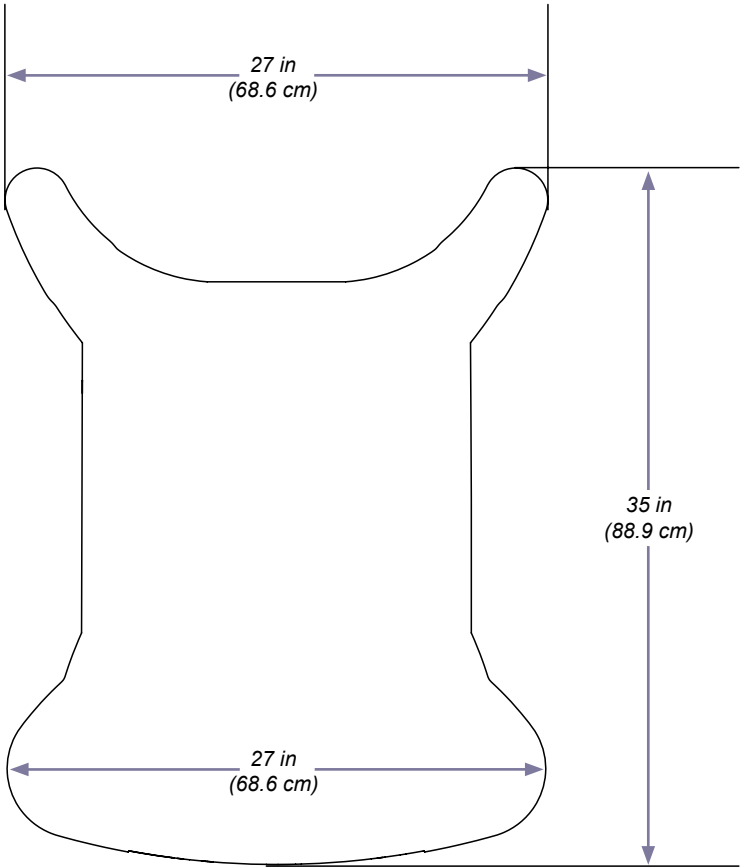


MA8847i

TP211 Rev. A

**Dimensions - (continued)**

**Standard Base Casting**

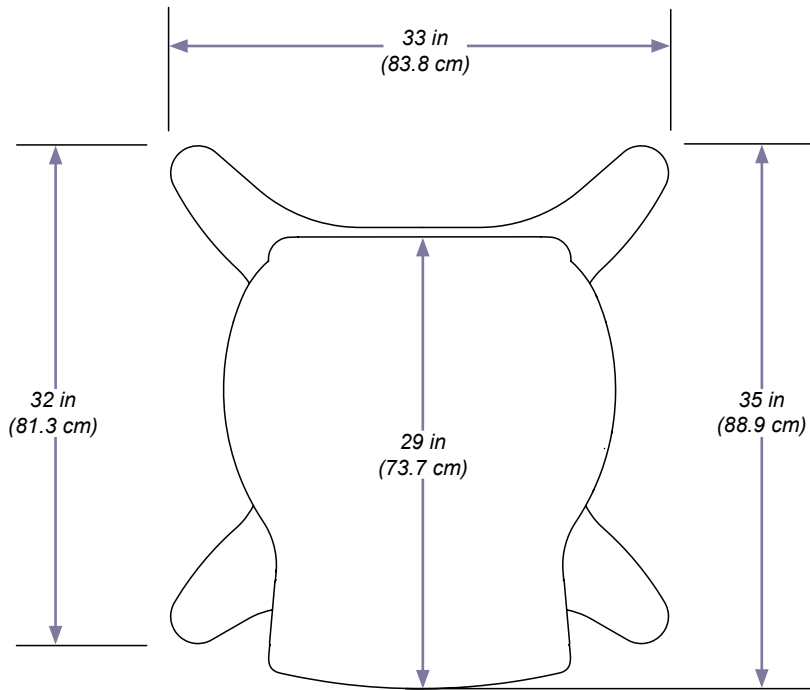


MA9902i

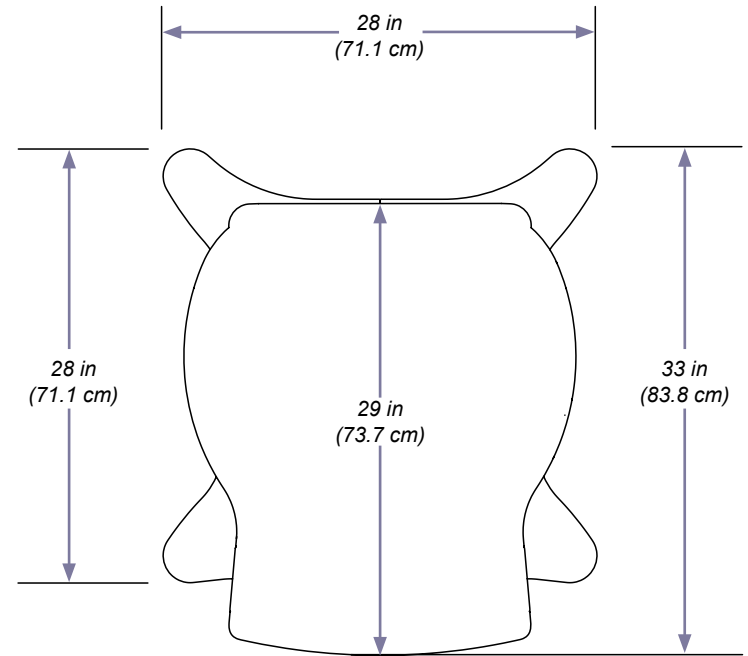
TP211 Rev. A

## Dimensions - (continued)

**Rotational Base Casting  
V2200 thru V1702160**



**Rotational Base Casting  
V1702161 thru Present**



MA9901i